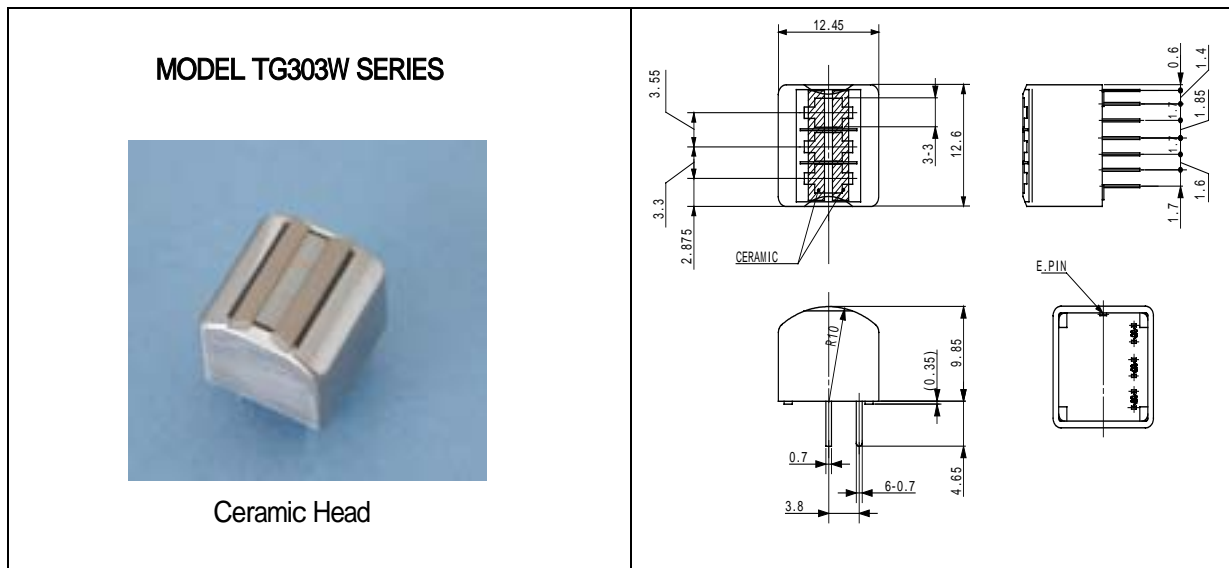


# MAGNETIC HEAD FOR CARD USE

## TRIPLE TRACK WRITE HEAD



### FEATURE

Compact size and supreme writing performance.

Both High & Low coercivity.

Standard min.. 500k passes and optional min.1,000k or super-long life of 4,000k passes are available.

Other custom electric specifications are available in this series.

### APPLICATION

ISO standard dual track encoder.

### ELECTRICAL & PHYSICAL SPECIFICATIONS

ITEMS	MEASURING CONDITIONS		TG303WA	Custom Model
D.C. resistance			5.2 ± 20%	± %
Inductance	1KHz 100 μ A	1 Tr	1.4mH ± 20%	mH ± %
		2 Tr	1.5mH ± 20%	mH ± %
		3 Tr	1.2 mH ± 20%	mH ± %
Recording current			330Oe60/2900Oe600mAp-p	mAp-p
Coercivity			330/2900Oe	330/2900Oe
Track & Gap width			3.0mm/30 μ m	3.0mm/30 μ m
Track pitch			3.0mm	3.0mm
Permalloy cores	Min. passes guaranteed		500k	500k
Sendust cores	As above		1,000k	1,000k
Ceramic treatment	As above		4,000k	4,000k

## TECHRECO CO., LTD.

3-8-8 HAMACHO KAWASAKI-KU KAWASAKI-CITY JAPAN 210-0851

TEL:81-44-355-6161 FAX:81-44-355-6167

For more information & inquiry: [sales@techreco.co.jp](mailto:sales@techreco.co.jp)

<http://www.techreco.co.jp>