

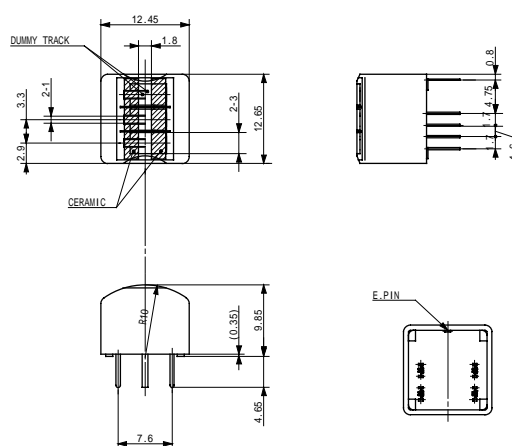
MAGNETIC HEAD FOR CARD USE

DUAL TRACK READ WRITE HEAD

MODEL TG312RW SERIES



Ceramic Head



FEATURE

Compact size and supreme reading & writing performance.

Both High & Low coercivity.

Standard min.500k passes and optional min.1,000k or super-long life of 4,000k passes are available.

Other custom electric specifications are available in this series.

APPLICATION

ISO standard dual track reader/writer.

Bank and card system terminals.

ELECTRICAL & PHYSICAL SPECIFICATIONS

ITEMS	MEASURING CONDITIONS		TG312RW	Custom Model
D.C. resistance		W	5.2 ± 20%	± %
		R	480 ± 20%	± %
Inductance	1KHz 100 μ A	W	1.45mH ± 25%	mH ± %
		R	100mH ± 25%	mH ± %
Recording current			3300e60/2900Oe600mAp-p	mApp/ mAp-p
Read output			33mVp-p ± 25%	mVp-p ± %
Coercivity			330/2900Oe	Oe
Track & Gap width			W:3mm R:1mm/30 μ m	W:3mm R:1mm/30 μ m
Permalloy cores	Min. passes guaranteed		500k	500k
Sendust cores	As above		1,000k	1,000k
Ceramic treatment	As above		4,000k	4,000k

TECHRECO CO., LTD.

3-8-8 HAMACHO KAWASAKI-KU KAWASAKI-CITY JAPAN 210-0851

TEL:81-44-355-6161 FAX:81-44-355-6167

For more information & inquiry: sales@techreco.co.jp

<http://www.techreco.co.jp>