

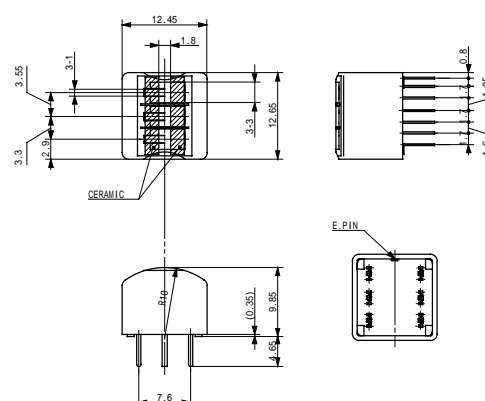
MAGNETIC HEAD FOR CARD USE

TRIPLE TRACK READ WRITE HEAD

MODEL TG313RW SERIES



Ceramic Head



FEATURE

Compact size and supreme reading & writing performance.

Both High & Low coercivity.

Standard min.500k passes and optional min.1,000k or super-long life of 4,000k passes are available.

Other custom electric specifications are available in this series.

APPLICATION

ISO standard triple track reader/writer.

Bank and card system terminals.

ELECTRICAL & PHYSICAL SPECIFICATIONS

ITEMS	MEASURING CONDITIONS	TG313RW	Custom Model	
D.C. resistance	W	5.2 ± 20%	± %	
		R	480 ± 20%	± %
Inductance	1KHz 100 μ A	W 1Tr	1.4mH ± 25%	mH ± %
		W 2Tr	1.5mH ± 25%	mH ± %
		W 3Tr	1.2mH ± 25%	mH ± %
		R	100mH ± 25%	mH ± %
Recording current		330Oe60/2900Oe600mAp-p	mAp-p	
Read output		33mVp-p ± 25%	mVp-p ± %	
Coercivity		330/2900Oe	Oe	
Track & Gap width		W:3mm R:1mm/30 μ m	W:3mm R:1mm/30 μ m	
Permalloy cores	Min. passes guaranteed	500k	500k	
Sendust cores	As above	1,000k	1,000k	
Ceramic treatment	As above	4,000k	4,000k	

TECHRECO CO., LTD.

3-8-8 HAMACHO KAWASAKI-KU KAWASAKI-CITY JAPAN 210-0851

TEL:81-44-355-6161 FAX:81-44-355-6167

For more information & inquiry: sales@techreco.co.jp

<http://www.techreco.co.jp>