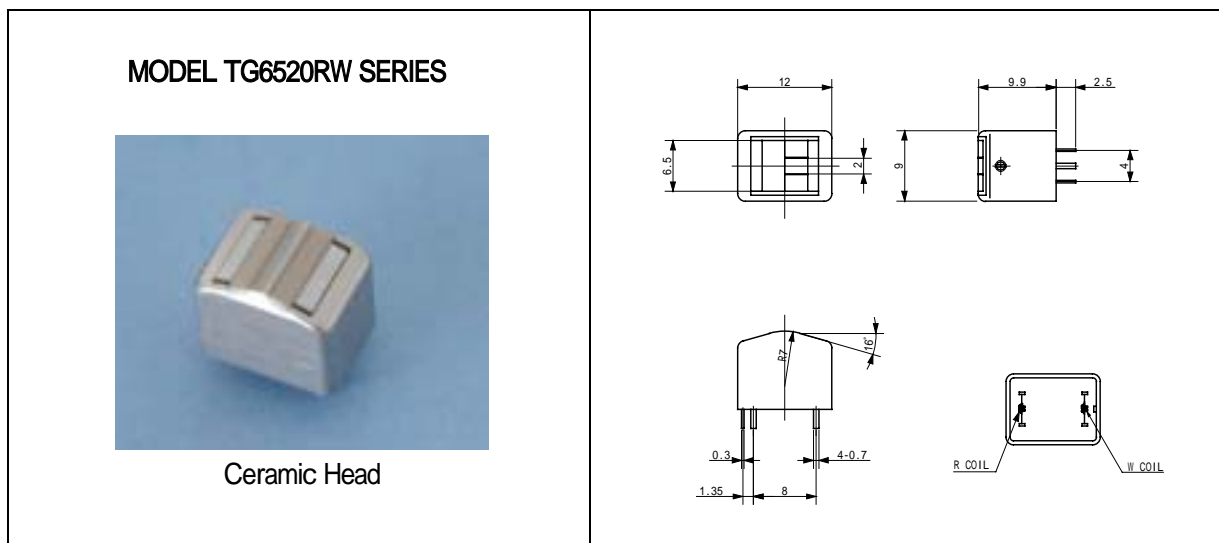


MAGNETIC HEAD FOR CARD USE

JIS READ WRITE HEAD



FEATURE

Compact size and supreme reading & writing performance.
 Standard min.500k passes and optional min.1,000k or super-long life of 4,000k passes are available.
 Other custom electric specifications are available in this series.

APPLICATION

JIS reader/writer.
 Bank passbook and other card system terminals.

ELECTRICAL & PHYSICAL SPECIFICATIONS

ITEMS	MEASURING CONDITIONS		TG6520RW	Custom Model
D.C. resistance		W	4 ± 20%	± %
		R	240 ± 20%	± %
Inductance	1KHz 100 μ A	W	1.3mH ± 25%	mH ± %
		R	120mH ± 25%	mH ± %
Recording current			650Oe/180/2900Oe/750mAp-p	mAp-p
Read output			43mVp-p ± 25%	mVp-p ± %
Coercivity			650/2900Oe	Oe
Track & Gap width			W:6.5mm R:2mm/30 μ m	W:6.5mm R:2mm/30 μ m
Permalloy cores	Min. passes guaranteed		500k	500k
Sendust cores	As above		1,000k	1,000k
Ceramic treatment	As above		4,000k	4,000k

TECHRECO CO., LTD.

3-8-8 HAMACHO KAWASAKI-KU KAWASAKI-CITY JAPAN 210-0851

TEL:81-44-355-6161 FAX:81-44-355-6167

For more information & inquiry: sales@techreco.co.jp <http://www.techreco.co.jp>