

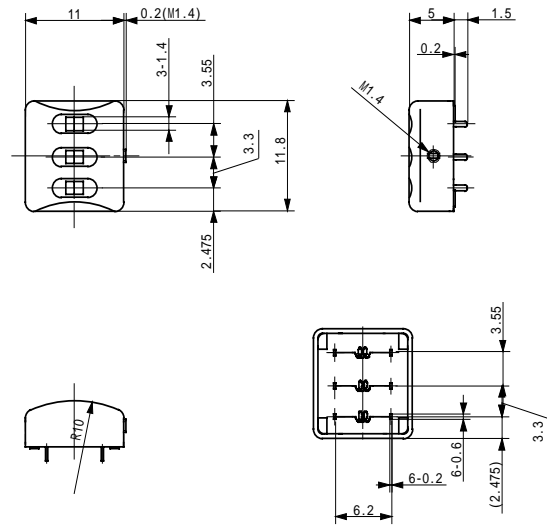
MAGNETIC HEAD FOR CARD USE

TRIPLE TRACK LOW PROFILE READER

MODEL TG300 SERIES



Ceramic Head



FEATURE

- Low profile head . Compact size gives flexibility in card reader designing.
- Standard min.500k passes and optional min.1,000k or super-long life of 4,000k passes are available.
- Other custom electric specifications are available in this series.

APPLICATION

- ISO triple track reader.
- Manual card reader for ID control.

ELECTRICAL & PHYSICAL SPECIFICATIONS

ITEMS	MEASURING CONDITIONS	TG300	CUSTOM MODEL
D.C. resistance		110 \pm 20%	\pm %
Inductance	1KHz 100 μ	25mH \pm 20%	mH \pm %
Read output		20mVp-p \pm 25%	mVp-p \pm %
Measuring tape	Recording density 210BPI/Speed	Maxell PM50-7B/7.5ips	Maxell PM50-7B/7.5ips
Track & Gap width		1.4mm/30 μ m	1.4mm/30 μ m
Permalloy cores	Min. passes guaranteed	500k	500k
Sendust cores	As above	1,000k	1,000k
Ceramic treatment	As above	4,000k	4,000k

TECHRECO CO., LTD.

3-8-8 HAMACHO KAWASAKI-KU KAWASAKI-CITY JAPAN 210-0851

TEL:81-44-355-6161 FAX:81-44-355-6167

For more information & inquiry: sales@techreco.co.jp <http://www.techreco.co.jp>