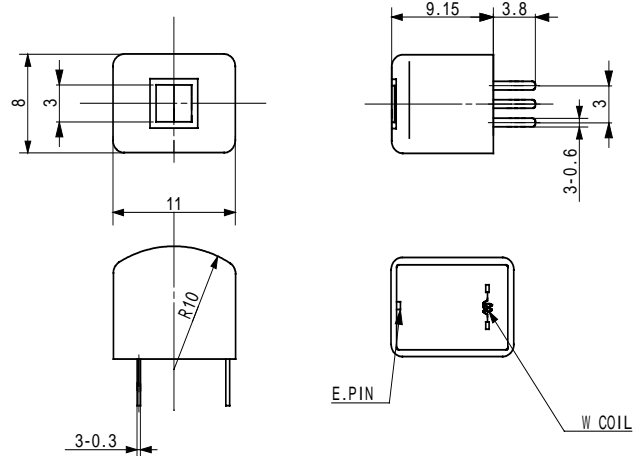


MAGNETIC HEAD FOR CARD USE

SINGLE TRACK WRITE HEAD

MODEL TG301W SERIES



FEATURE

Compact size and supreme writing performance.

Standard min.500k passes and optional min.1,000k or super-long life of 4,000k passes are available.

Other custom electric specifications are available in this series.

APPLICATION

ISO standard single track encoder.

ELECTRICAL & PHYSICAL SPECIFICATIONS

| ITEMS | MEASURING CONDITIONS | TG301W | Custom Model |
|-------------------|--------------------------------|----------------------------|----------------------------|
| D.C. resistance | | 4.5 ± 20% | ± % |
| Inductance | 1KHz 100 μ A | 2mH ± 20% | mH ± % |
| Recording current | | 330Oe70/2900Oe700mAp-p | mAp-p ± % |
| Coercivity | | 330/2900Oe | |
| Measuring tape | Recording density 210BPI/Speed | Maxell PM50-7B,JL30/7.5ips | Maxell PM50-7B,JL30/7.5ips |
| Track & Gap width | | 3.0mm/30 μ m | 3.0mm/30 μ m |
| Permalloy cores | Min. passes guaranteed | 500k | 500k |
| Sendust cores | As above | 1,000k | 1,000k |
| Ceramic treatment | As above | 4,000k | 4,000k |

TECHRECO CO., LTD.

3-8-8 HAMACHO KAWASAKI-KU KAWASAKI-CITY JAPAN 210-0851

TEL:81-44-355-6161 FAX:81-44-355-6167

For more information & inquiry: sales@techreco.co.jp

<http://www.techreco.co.jp>