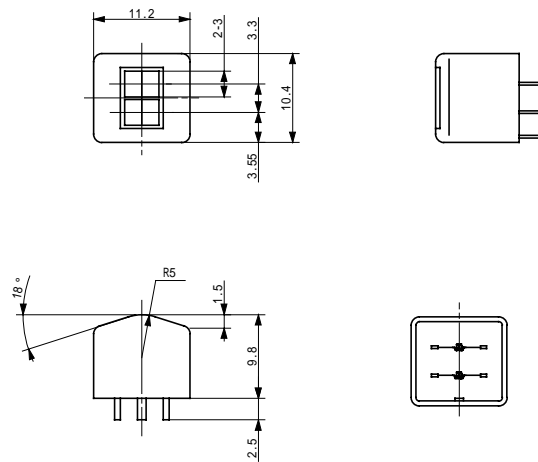


MAGNETIC HEAD FOR CARD USE

DUAL TRACK WRITE HEAD

MODEL TG302W SERIES



TG302WA

FEATURE

Compact size and supreme writing performance.

Standard min.500k passes and optional min.1,000k or super-long life of 4,000k passes are available.

Other custom electric specifications are available in this series.

APPLICATION

ISO standard dual track encoder.

ELECTRICAL & PHYSICAL SPECIFICATIONS

ITEMS	MEASURING CONDITIONS	TG302WA	TG302WB
D.C. resistance		4.5 \pm 20%	4.5 \pm 20%
Inductance	1KHz 100 μ A	1.5mH \pm 20%	1.5mH \pm 20%
Recording current		100mAp-p	100mAp-p
Coercivity		330Oe	330Oe
Measuring tape	Recording density 210BPI/Speed	Maxell PM50-7B/7.5ips	Maxell PM50-7B/7.5ips
Track & Gap width		3.0mm/30 μ m	3.0mm/30 μ m
Track pitch		3.3mm	3.5mm
Permalloy cores	Min. passes guaranteed	500k	500k
Sendust cores	As above	1,000k	1,000k
Ceramic treatment	As above	4,000k	4,000k

TECHRECO CO., LTD.

3-8-8 HAMACHO KAWASAKI-KU KAWASAKI-CITY JAPAN 210-0851

TEL:81-44-355-6161 FAX:81-44-355-6167

For more information & inquiry: sales@techreco.co.jp <http://www.techreco.co.jp>