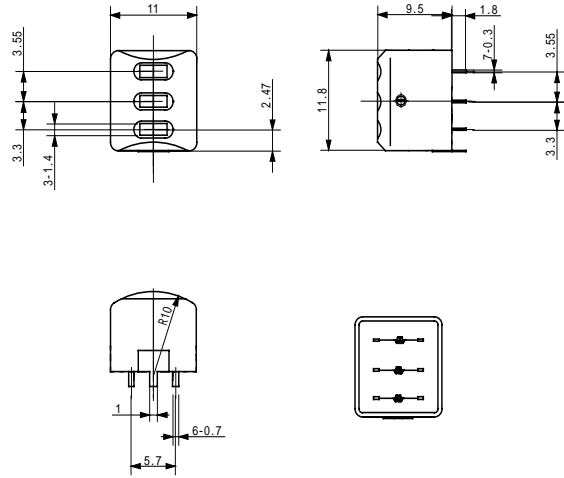


# MAGNETIC HEAD FOR CARD USE

## TRIPLE TRACK READ HEAD

### MODEL TG314C SERIES



### FEATURE

- Original design of surface guarantees optimum reading performance.
- Standard min.500k passes and optional min.1,000k or super-long life of 4,000k passes are available.
- Other custom electric specifications are available in this series.

### APPLICATION

- ISO triple track reader.
- Manual card reader for ID control.

### ELECTRICAL & PHYSICAL SPECIFICATIONS

ITEMS	MEASURING CONDITIONS	TG314C	CUSTOMER MODEL
D.C. resistance		280 $\pm$ 20%	$\pm$ %
Inductance	1KHz 100 $\mu$	110mH $\pm$ 20%	mH $\pm$ %
Read output		40mVp-p $\pm$ 25%	mVp-p $\pm$ %
Measuring tape	Recording density 210BPI/Speed	Maxell PM50-7B/7.5ips	Maxell PM50-7B/7.5ips
Track & Gap width		1.4mm/10 $\mu$ m	1.4mm/10 $\mu$ m
Permalloy cores	Min. passes guaranteed	500k	500k
Sandust cores	As above	1,000k	1,000k
Ceramic treatment	As above	4,000k	4,000k

## TECHRECO CO., LTD.

3-8-8 HAMACHO KAWASAKI-KU KAWASAKI-CITY JAPAN 210-0851

TEL:81-44-355-6161 FAX:81-44-355-6167

For more information & inquiry: [sales@techreco.co.jp](mailto:sales@techreco.co.jp) <http://www.techreco.co.jp>