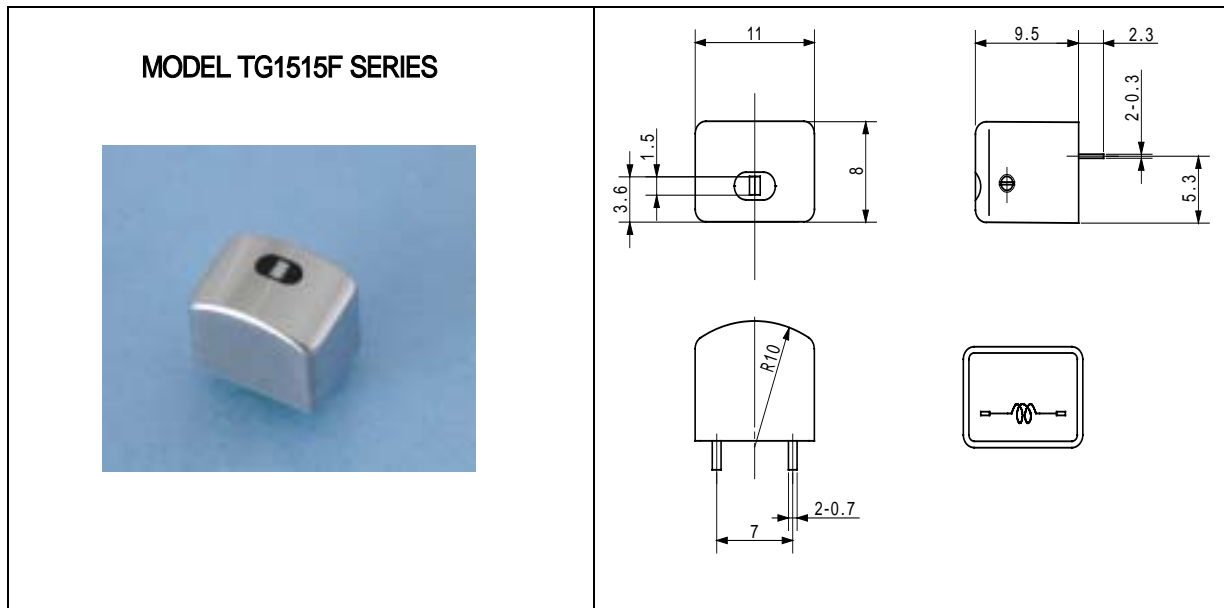


# MAGNETIC HEAD FOR CARD USE

## SINGLE TRACK READ HEAD



### FEATURE

- Original design of head surface guarantees optimum reading performance.
- Standard min.500k passes and optional min.1,000k or super-long life of 4,000k passes are available.
- Other custom electric specifications are available in this series.

### APPLICATION

- ISO,JIS single track reader.
- Manual card reader for ID control.
- Magnetic card lock.

### ELECTRICAL & PHYSICAL SPECIFICATIONS

ITEMS	MEASURING CONDITIONS	TG1515F	Custom Model
D.C. resistance		35 ± 20%	± %
Inductance	1KHz 100 μ	16mH ± 20%	mH ± %
Read output		16mVp-p ± 25%	mVp-p ± %
Measuring tape	Recording density 210BPI/Speed	Maxell PM50-7B/7.5ips	Maxell PM50-7B/7.5ips
Track & Gap width		1.5mm/30 μ m	1.5mm/30 μ m
Permalloy cores	Min. passes guaranteed	500k	500k
Sendust cores	As above	1,000k	1,000k
Ceramic treatment	As above	4,000k	4,000k

## TECHRECO CO., LTD.

3-8-8 HAMACHO KAWASAKI-KU KAWASAKI-CITY JAPAN 210-0851

TEL:81-44-355-6161 FAX:81-44-355-6167

For more information & inquiry: [sales@techreco.co.jp](mailto:sales@techreco.co.jp) <http://www.techreco.co.jp>