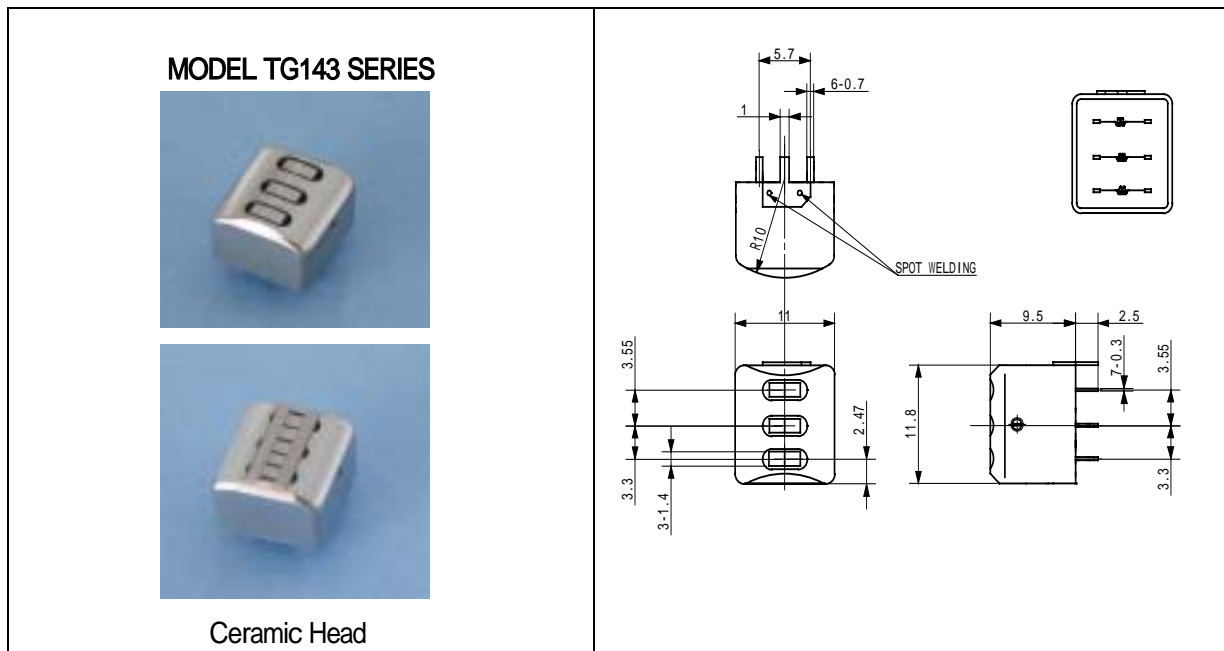


MAGNETIC HEAD FOR CARD USE

TRIPLE TRACK READ HEAD



MODEL TG143 SERIES



Ceramic Head

FEATURE

- Original design of surface guarantees optimum reading performance.
- Standard min.500k passes and optional min.1,000k or super-long life of 4,000k passes are available.
- Other custom electric specifications are available in this series.

APPLICATION

- ISO triple track reader.
- Manual card reader for ID control.

ELECTRICAL & PHYSICAL SPECIFICATIONS

ITEMS	MEASURING CONDITIONS	TG143	CUSTOMER MODEL
D.C. resistance		140 ± 20%	± %
Inductance	1KHz 100 μ	28mH ± 20%	mH ± %
Read output		19mVp-p ± 25%	mVp-p ± %
Measuring tape	Recording density 210BPI/Speed	Maxell PM50-7B/7.5ips	Maxell PM50-7B/7.5ips
Track & Gap width		1.4mm/30 μ m	1.4mm/30 μ m
Permalloy cores	Min. passes guaranteed	500k	500k
Sendust cores	As above	1,000k	1,000k
Ceramic treatment	As above	4,000k	4,000k

TECHRECO CO., LTD.

3-8-8 HAMACHO KAWASAKI-KU KAWASAKI-CITY JAPAN 210-0851

TEL:81-44-355-6161 FAX:81-44-355-6167

For more information & inquiry: sales@techreco.co.jp <http://www.techreco.co.jp>